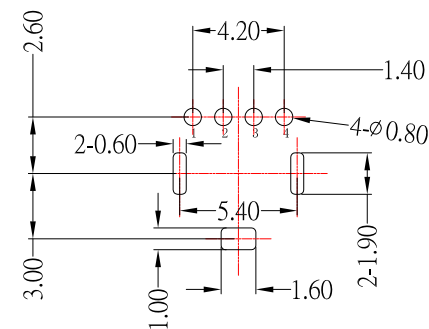
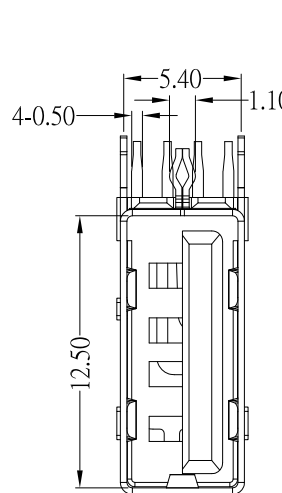
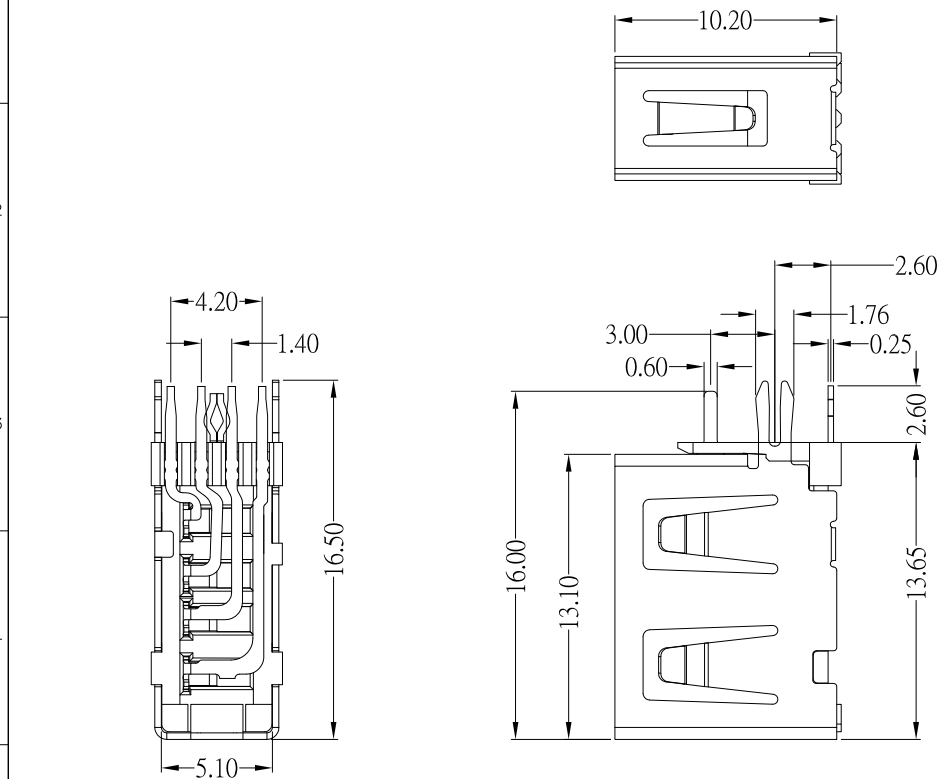




SUA-110P13Bx-x-S236

SHELL :	鍍層厚度 :
Blank : BRASS	Blank : 1u"
I : SPCC	2 : 15u"
	3 : 30u"



PCB LAYOUT MOUNTING PATTERN

SPECIFICATIONS

Electrical:

1. Rated Current: 2.0 A Max
2. Dielectric Withstanding Voltage: AC 500 V / 1MIN
3. Insulation Resistance: 1,000 MΩ Min
4. Contact Resistance: 30 mΩ Max

Material:

1. Housing: PBT
2. Contact: PhosphorBronze
3. Shell: Brass / Spcc

Finish:

1. Contact: Plated Gold in Mating Area ;
Tin Plated on Solder Balls ;
Nickel under plated overall
2. Shell: Nickel under Plated surface layer



CONTACT 建倚科技股份有限公司
CONTACT TECHNOLOGY CORP.

TOLERANCE UNLESS OTHERWISE STATED :
Up to 5 ±0.2
Above 5 ~ 15 ±0.3
Above 15 ~ 30 ±0.4
Above 30 ~ 50 ±0.5
Angle ±0.3

3RD. ANGEL'S

UNITS MM

DRAWN BY:	DATE	MAT'L	TITLE	CONNECTOR
Jack Lu	05/12/20			
CHECKED BY:	DATE	FINISH	MODLE	USB AF 側插短體外殼魚叉腳無捲邊 L=10.40mm
Jacky Chen	05/12/20			
APPROVED BY:	DATE	SCALE	DWG NO.	SUA-110P13Bx-x-S236
Tony Kao	05/12/20	1 : 1	PART NO.	SUA-110P13Bx-x-S236
		SHEET NO.	1 of 1	SIZE A4
				VER R

ITEM NO.	DESCRIPTION	DRAWN	DATE